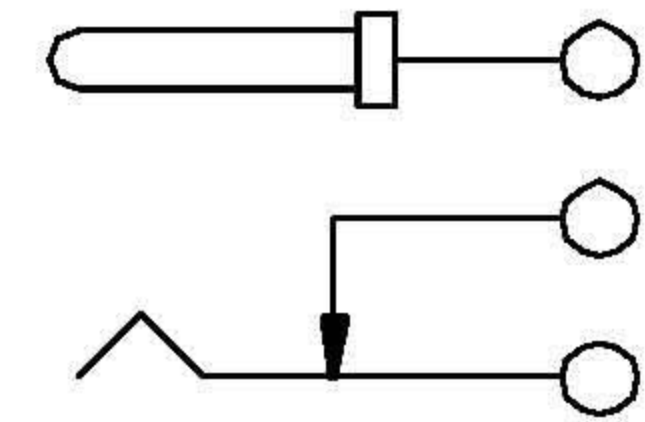
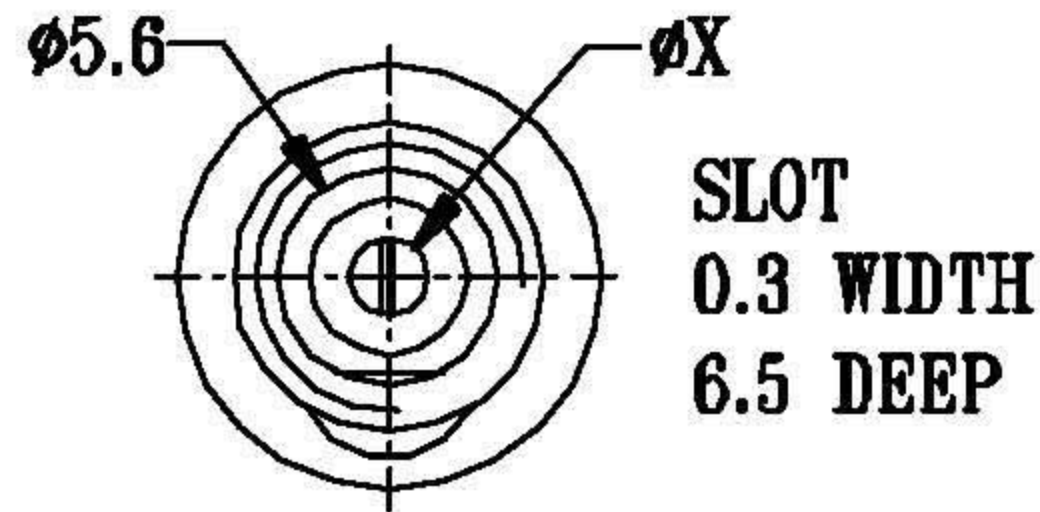
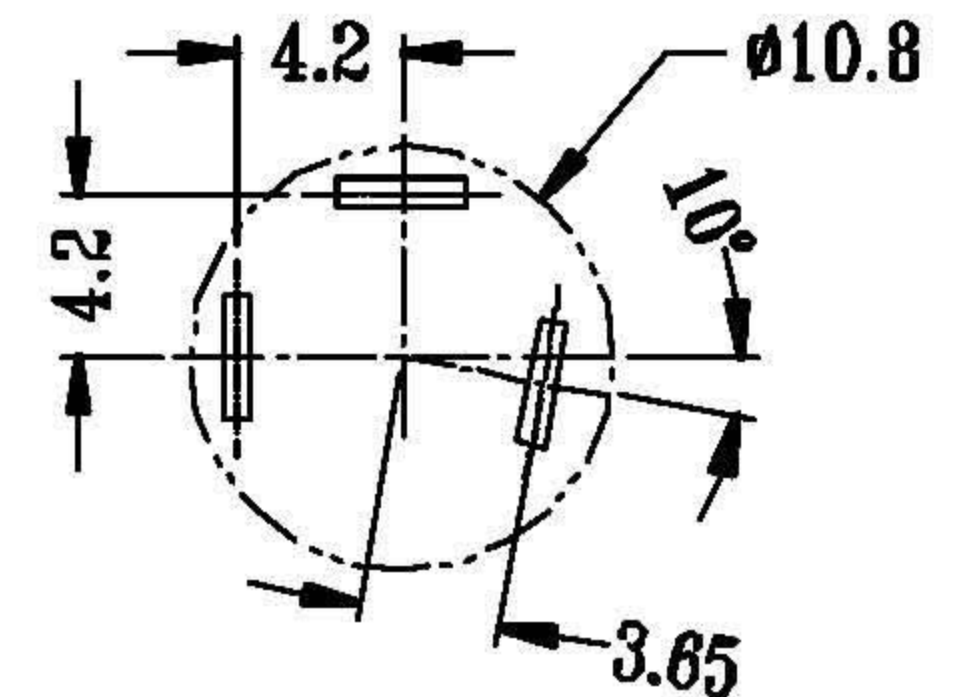
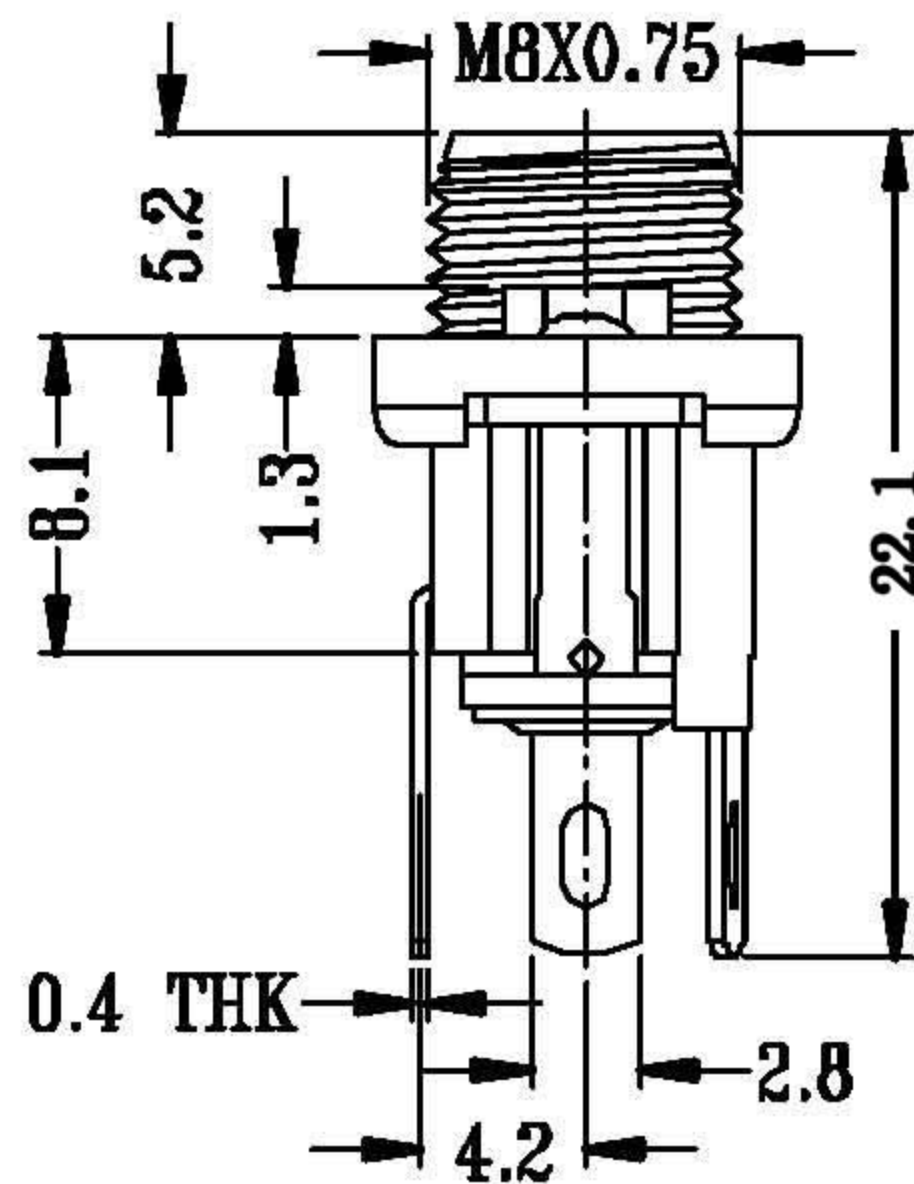
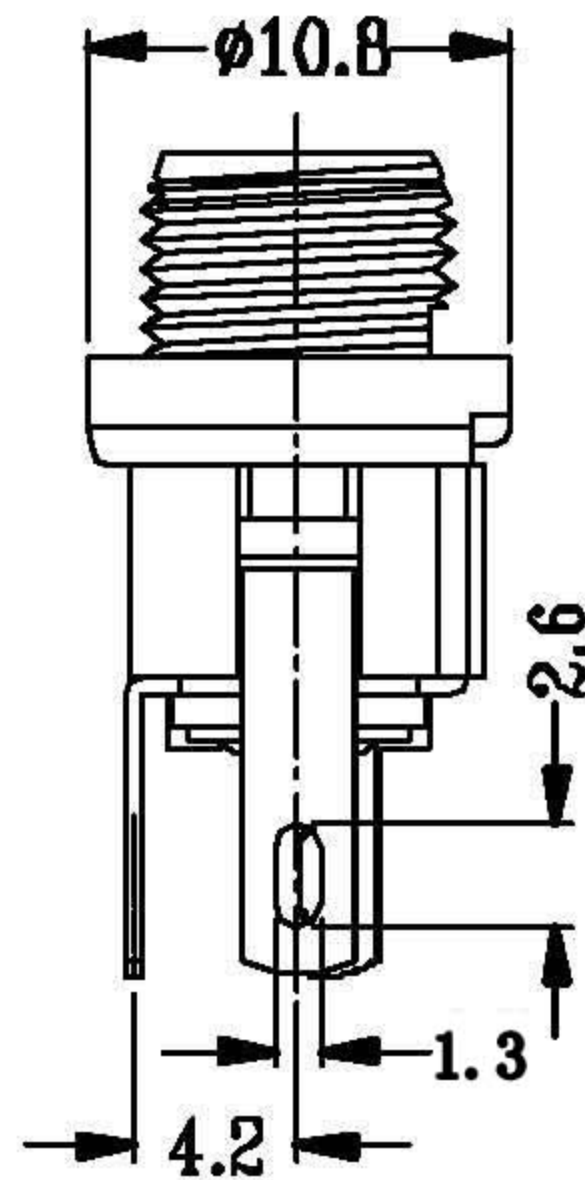


CAD FILE:



SCHEMATIC



P.C.B LAYOUT

DIA. OF PIN 'X' A = 2.5 MM
DIA. OF PIN 'X' B = 2.1 MM
DIA. OF PIN 'X' C = 2.95 MM

NO.	PART NAME	MATERIAL	Q'TY	FINISHING	TOLERANCE UNLESS SPECIFIED	ISSUE	DATE	DESCRIPTIONS	APPD.
8									
7	CASE	POM	1	BLACK					
6	PAPER WASHER	HARD PAPER	2	RED	WITHIN: 1.5±0.1mm OVER : 1.5±0.2mm				
5	SOCKET	BRASS	1	NI PLATED					
4	PLUG PIN	BRASS	1	NI PLATED					
3	SPRING TERMINAL B	PBS STRIP	1	Ag PLATED OVER NI PLATED					
2	TERMINAL C	PBS STRIP	1	Ag PLATED OVER NI PLATED					
1	TERMINAL A	BRASS STRIP	1	Ag PLATED OVER NI PLATED					
					TITLE : DC POWER JACK			UNIT : MM	DRWG NO.: SF-DR-DS026-00
								SCALE: 5:2	DWN.
									CHK'D
									APPD.